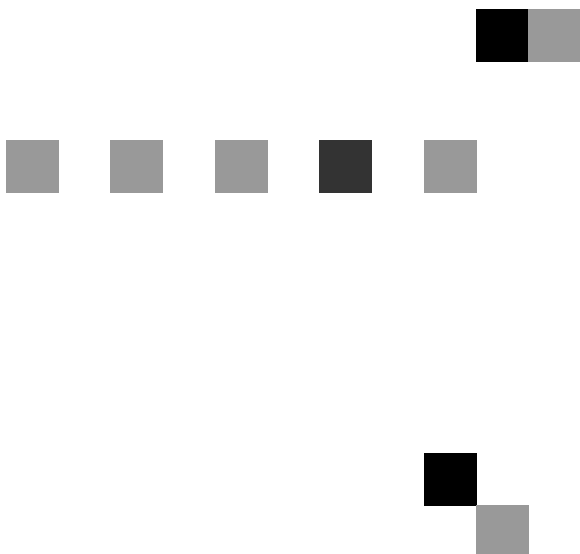


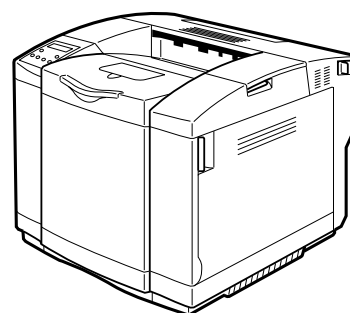
**RICOH**



# Aficio<sup>TM</sup>

## CL800

### Option Setup Guide



Read this manual carefully before you use this product and keep it handy for future reference. For safe and correct use, please be sure to read the Safety Information in the Setup Guide before using the machine.

## Introduction

This manual describes detailed instructions on the operation and notes about the use of this machine. To get maximum versatility from this machine all operators are requested to read this manual carefully and follow the instructions. Please keep this manual in a handy place near the machine.

## Important

Contents of this manual are subject to change without prior notice. In no event will the company be liable for direct, indirect, special, incidental, or consequential damages as a result of handling or operating the machine.

### Caution:

Use of controls or adjustment or performance of procedures other than those specified in this manual might result in hazardous radiation exposure.

Do not attempt any maintenance or troubleshooting other than that mentioned in this manual. This printer contains a laser beam generator and direct exposure to laser beams can cause permanent eye damage.

### Notes:

Some illustrations in this manual might be slightly different from the machine.

Certain options might not be available in some countries. For details, please contact your local dealer.

For good print quality, the supplier recommends that you use genuine toner, maintenance kits and parts from the supplier.

The supplier shall not be responsible for any damage or expense that might result from the use of consumables (toner, maintenance kits and parts) other than genuine consumables from the supplier with your office products.

## Trademarks

Microsoft, Windows and Windows NT are registered trademarks of Microsoft Corporation in the United States and/or other countries.

IPS-PRINT Printer Language Emulation Copyright© 1999-2000 Oak Technology, Inc., All rights reserved.

Other product names used herein are for identification purposes only and might be trademarks of their respective companies. We disclaim any and all rights in those marks.

The proper names of the Windows operating systems are as follows:

- The product name of Windows® 95 is Microsoft® Windows® 95.
- The product name of Windows® 98 is Microsoft® Windows® 98.
- The product name of Windows® Me is Microsoft® Windows® Millennium Edition (Windows Me).
- The product names of Windows® 2000 are as follows:  
Microsoft® Windows® 2000 Advanced Server  
Microsoft® Windows® 2000 Server  
Microsoft® Windows® 2000 Professional
- The product names of Windows® XP are as follows:  
Microsoft® Windows® XP Professional  
Microsoft® Windows® XP Home Edition
- The product names of Windows Server™ 2003 are as follows:  
Microsoft® Windows Server™ 2003 Standard Edition  
Microsoft® Windows Server™ 2003 Enterprise Edition  
Microsoft® Windows Server™ 2003 Web Edition
- The product names of Windows NT® 4.0 are as follows:  
Microsoft® Windows NT® Server 4.0  
Microsoft® Windows NT® Workstation 4.0

# Table of Contents

---

<b>Chapter 1 Options</b> .....	<b>1-1</b>
<b>Chapter 2 Paper Feeder</b> .....	<b>2-1</b>
1. Packed Supplies.....	2-2
2. Before Installing to the Printer .....	2-3
3. Installation.....	2-4
4. After Installation.....	2-6
<b>Chapter 3 Duplex Unit</b> .....	<b>3-1</b>
1. Packed Supplies.....	3-2
2. Installation.....	3-3
3. After Installation.....	3-5
<b>Chapter 4 Adjusting Paper Feeder and Duplex Unit</b> .....	<b>4-1</b>
1. Adjusting Left and Right Margins .....	4-2
2. Confirming Left and Right Margins after Adjustment .....	4-3



# Chapter 1 Options

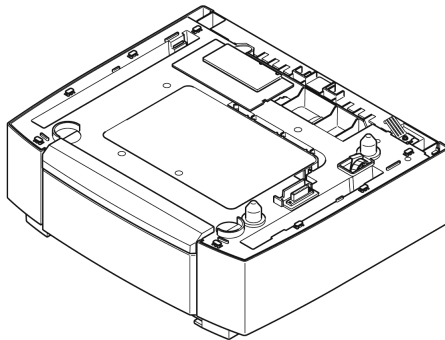
# Options

The printer has the following options.

## CAUTION

- Before installing options, the machine should be turned off and unplugged for at least an hour. Components inside the machine become very hot, and can cause a burn if touched.
- Before moving the machine, unplug the power cable from the outlet. If the cable is unplugged abruptly, it could become damaged. Damaged plugs or cables can cause an electrical or fire hazard.
- When lifting the machine, use the grips on both sides. The machine could break or cause an injury if dropped.

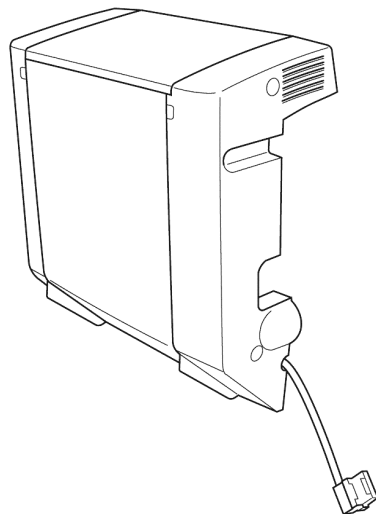
### ■ Paper Feeder



This option holds and feeds up to 500 sheets of paper in addition to the standard tray for up to 250 sheets of media. As a result, the standard tray and the optional Paper Feeder can hold up to 750 sheets of media.

In this manual, the "Paper Feed Unit Type 1000" is called the "Paper Feeder".

### ■ Duplex Unit



This option enables duplex printing, i.e., printing images on both sides of applicable media.

In this manual, the "AD460" is called the "Duplex Unit".

## Chapter 2 Paper Feeder

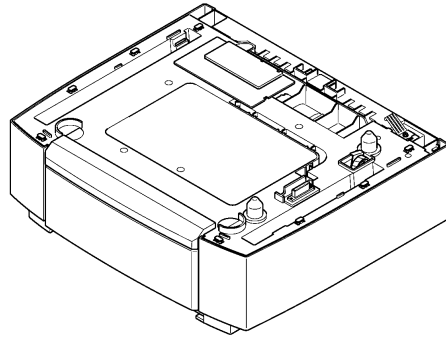
- 1. Packed Supplies----- 2-2
- 2. Before Installing to the Printer ----- 2-3
- 3. Installation----- 2-4
- 4. After Installation----- 2-6

# 1. Packed Supplies

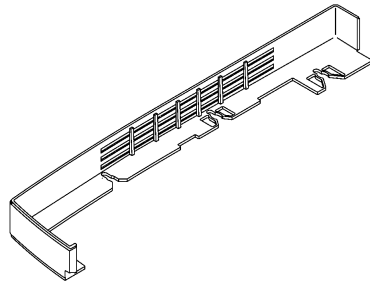
The following are packed for the supplies of the paper feeder.

If some of the supplies are missing or damaged, contact your sales representative.

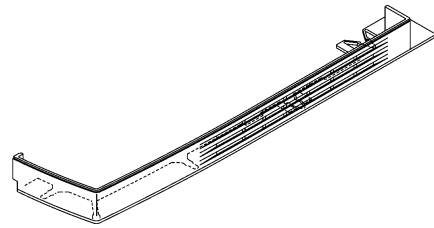
- Paper feeder unit (with Paper cassette)



- Left cover



- Right cover



- Two Metal stoppers





## 2. Before Installing to the Printer

Since the paper feeder is installed at the bottom of the printer, you must position the printer so that you are able to install the paper feeder in it.

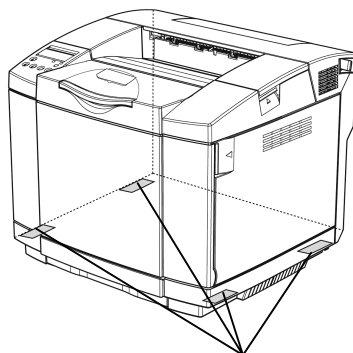


### CAUTION

- The printer weights approxi-mately 31.5 kg (69.4 lb). When moving the printer, use the inset grips on both sides, and lift slowly. The printer will break or cause injury if dropped.
- Lifting the paper feeder carelessly or dropping it may cause injury.
- To prevent an injury, this printer should be lifted by at least two people.

### Carrying the printer

- (a) If power to the printer main unit is switched on, turn it off.
- (b) If either the power cord or the USB cable are connected, unplug them.
- (c) Grasp the handled firmly and have more than two persons to help carry the printer.



Handles

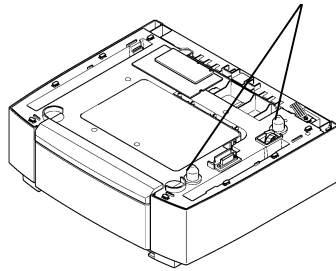
### 3. Installation

To install a paper feeder in the printer, follow the procedures below.

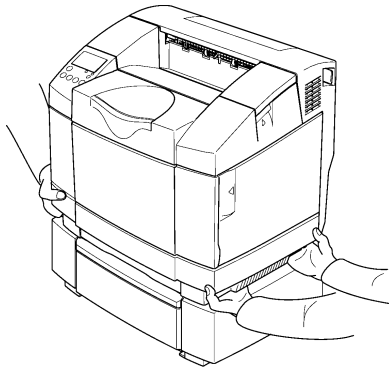
#### connection steps

Guide pins

- (a) Install the paper feeder in place.

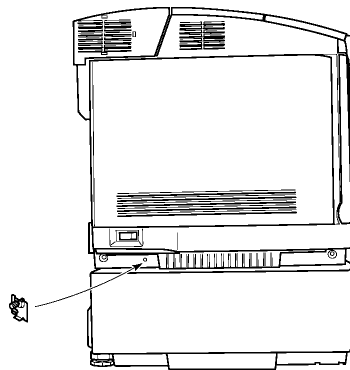


- (b) Place the printer on the paper feeder. Gently insert the right guide pin on the paper feeder into the pin hole at the bottom of the printer.

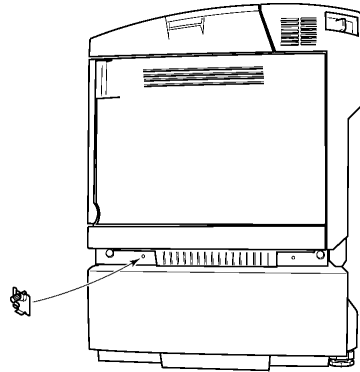


- (c) Tighten the thumb screw at the left back of the paper feeder.

**Make sure that the tab has been placed into the printer and paper feeder.**

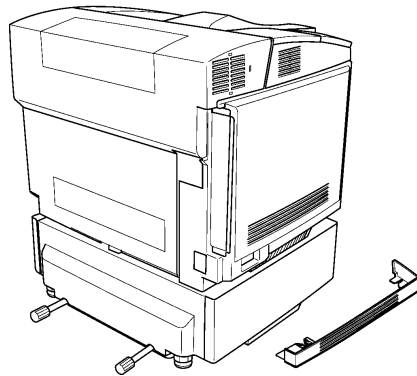


- (d) Tighten the thumb screw at the right front of the paper feeder.



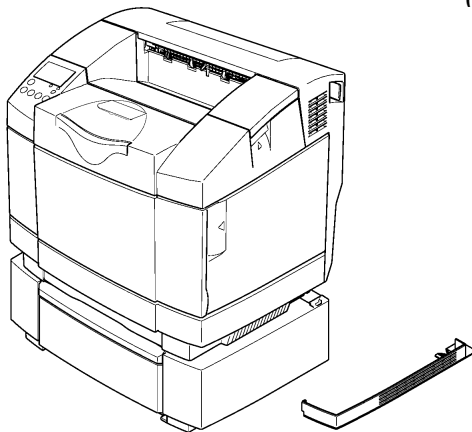
**Make sure that the tab has been placed into the printer and paper feeder.**

- (e) Install the left cover.

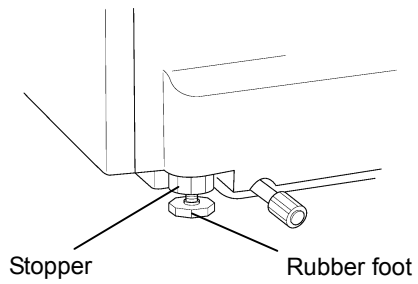


**Hook the pivot at the left back of the paper feeder and turn the left cover around the pivot and fit it on.**

- (f) Install the left cover.



**Hook the pivot at the left back of the paper feeder and turn the left cover around the pivot and fit it on.**



- (g) Turn the two rubber feet to lightly touch them to the installation.

**The rubber foot is located at the back of the paper feeder. When you turn it right, the rubber foot lowers.**

- (h) Secure the rubber foot with a stopper.

**When you turn the stopper left to lift it up, the rubber foot is secured.**

## 4. After Installation

If you have installed the paper feeder, check the operation by referring to "Adjusting Paper Feeder and Duplex Unit" in this manual.

## Chapter 3 Duplex Unit

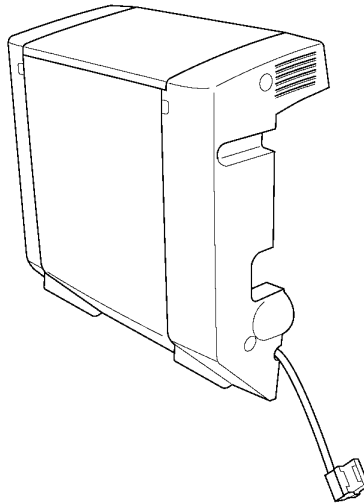
1. Packed Supplies-----	3-2
2. Installation-----	3-3
3. After Installation-----	3-5

# 1. Packed Supplies

The contents of the package are as follows.

If any component is missing or damaged, contact your dealer.

- Duplex unit itself




## 2. Installation

Install the duplex unit to the printer according to the following procedure.

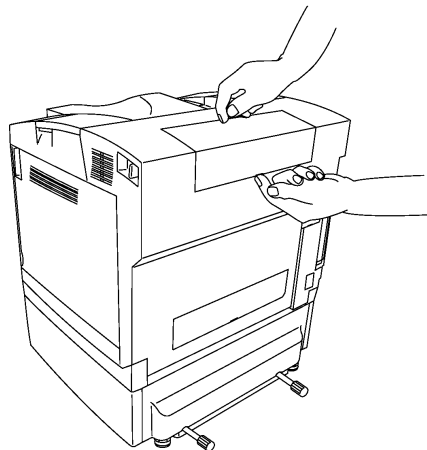


### CAUTION

- Lifting the duplex unit carelessly or dropping it may cause injury.
- The inside of this machine gets very hot. Do not touch parts labeled “” (hot surface). Doing so could result in a burn.

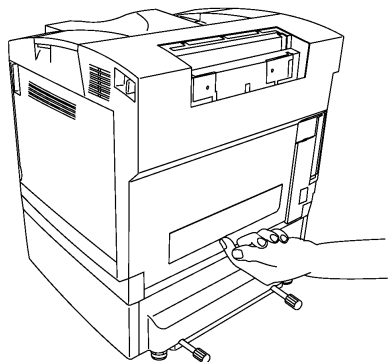
### Installing Procedure

- (a) If power to the printer main unit is switched on, turn it off.
- (b) If either the power cord or the USB cable are connected, unplug them.



- (c) Remove the upper duplex cover from the back of the printer.

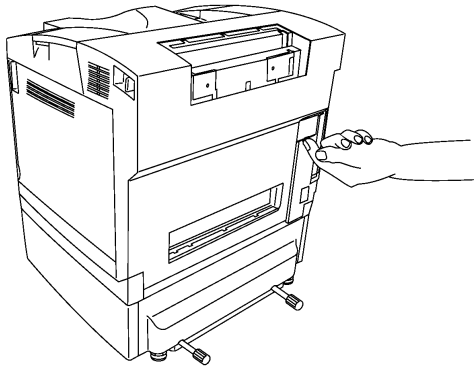
**Using a coin, lids are easy to be removed.**



- (d) Remove the lower duplex cover from the back of the printer.

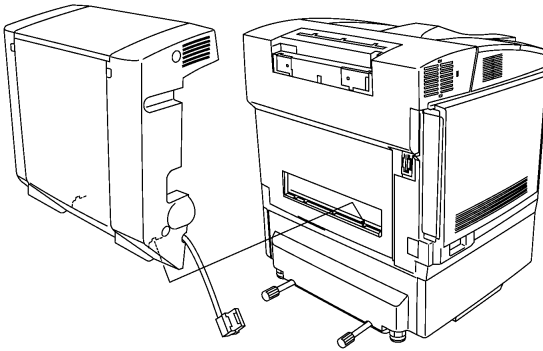
**Using a coin, lids are easy to be removed.**

- (e) Remove the duplex connector cap from the back of the printer.

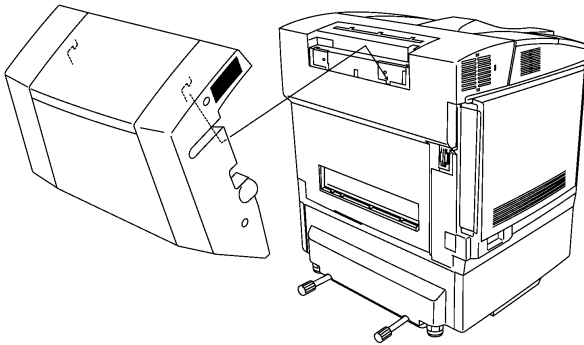


**Keep all the covers and cap carefully.**

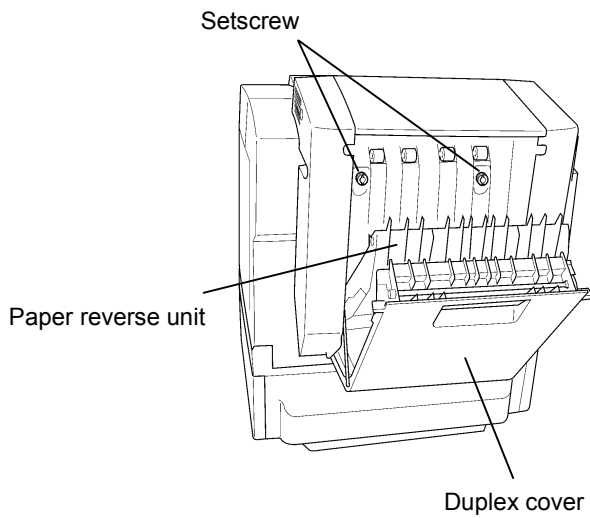
- (f) Hold the duplex unit grasping the grips in the right and left sides of the unit.  
(g) Set the duplex unit to the lower positioning groove of back cover.



- (h) Set the hook in the positioning hole along the guide rib at the upper right of the back cover.



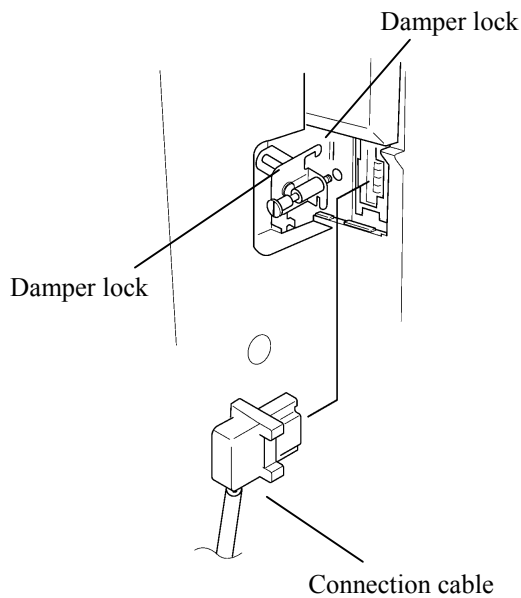




- (i) Open the duplex cover, incline the paper reverse unit, and then tighten the setscrews.

**Push against the setscrews to tighten them further. When the setscrew starts tightening, pull away the green part, and continue to tighten.**

**Be sure to push in the setscrews after tightening them. Failure to do so could result in a paper jam.**



- (j) Hook the damper lock to the damper lock hook of the back of the printer and tighten the screw of the damper lock hook at the right side.

- (k) Attach the connection cable to the connector of the printer.

**Insert the connector until it locks.**

### 3. After Installation

After installing the duplex unit, make sure that the duplex printing is performed correctly according to "Adjusting Paper Feeder and Duplex Unit" in this manual.



## **Chapter 4 Adjusting Paper Feeder and Duplex Unit**

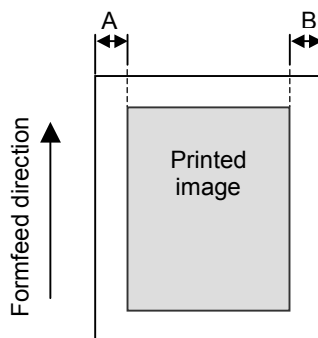
- 1. Adjusting Left and Right Margins ----- 4-2**
- 2. Confirming Left and Right Margins after Adjustment - 4-3**

# 1. Adjusting Left and Right Margins

If the test printout is biased horizontally, adjust the left and right margins using the utility function of the control panel.

## Procedure for adjusting the left and right margins

- (a) Perform test print. (See Operating Instructions attached to the CD-ROM.)
  - i. If you intend to adjust the paper tray of the Paper Feeder (tray2), perform test print in simplex print mode on plain paper fed from tray2.
  - ii. If you intend to adjust the Duplex Unit, perform test print in duplex print mode on plain paper fed from tray2. This adjustment of the Duplex Unit must be done after the adjustment of tray2.
- (b) Measure left margin A (mm) and right margin B (mm) on the printed test pattern.



- (c) Determine the setting according to the table below.

B-A (mm)	-3.5	-3	-2.5	-2	-1.5	-1	-0.5	0	+0.5	+1	+1.5	+2	+2.5	+3	+3.5
Setting	-35	-30	-25	-20	-15	-10	-5	0	+5	+10	+15	+20	+25	+30	+35

- (d) Ensure that "Ready" is displayed on the LCD.
- (e) Press ONLINE key. The ONLINE lamp goes out when the printer enters offline mode.
- (f) Press MENU key. Keep pressing MENU key for three seconds. Utility Menu appears after Test menu appeared.
- (g) Press ENTER key. Clear Belt CG submenu appears.

**Tray1: A4  
Ready**

**Tray1: A4  
Not Ready**

**Tray1: A4  
Utility Menu**

**Utility Menu  
Clear Belt CG**

(h) Press ◀ or ▶ key proper times to select the menu item as follows.

- When adjusting the left and right margins for tray2:

Utility Menu Tray2 Margin
------------------------------

- When adjusting the left and right margins for duplex print:

Utility Menu Duplex Margin
-------------------------------

The subsequent explanation assumes adjustment for tray 2.

(i) Press ENTER key, and the current setting appears.

Tray2 Margin 0
-------------------

(j) Press ◀ or ▶ key proper times until the target setting option appears.

Tray2 Margin -5
--------------------

(k) Press ENTER key to specify the selected option as the new setting for the printer, display new and old setting.

Tray2 Margin New : -5 Old : 0
----------------------------------

(l) Press ENTER key to save the selected option as the new setting for the printer.

Utility Menu Tray2 Margin
------------------------------

(m) Press ONLINE key to terminate the menu operation and cause the printer to enter online mode.

## 2. Confirming Left and Right Margins after Adjustment

After you adjust the left and right margins according to the procedure above, confirm the adjustment according to the procedure below.

### Procedure for confirming the adjustment of margins

- (a) Perform test print again, and ensure that the left and right margins are roughly equal. (See Operating Instructions attached to the CD-ROM.)

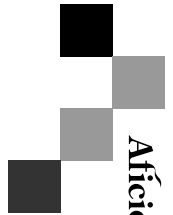






## **RICOH COMPANY, LTD.**

15-5, Minami Aoyama 1-chome,  
Minato-ku, Tokyo 107-8544, Japan  
Phone: +81-3-3479-3111



Afficio™ C1800

Option Setup Guide

## **Overseas Affiliates**

### **U.S.A.**

RICOH CORPORATION  
5 Dedrick Place  
West Caldwell, New Jersey 07006  
Phone: +1-973-882-2000

### **The Netherlands**

RICOH EUROPE B.V.  
Groenelaan 3, 1186 AA, Amstelveen  
Phone: +31-(0)20-5474111

### **United Kingdom**

RICOH UK LTD.  
Ricoh House,  
1 Plane Tree Crescent, Feltham,  
Middlesex, TW13 7HG  
Phone: +44-(0)20-8261-4000

### **Germany**

RICOH DEUTSCHLAND GmbH  
Mergenthalerallee 38-40,  
65760 Eschborn  
Phone: +49-(0)6196-9060

### **France**

RICOH FRANCE S.A.  
383, Avenue du Général de Gaulle  
BP 307-92143 Clamart Cedex  
Phone: +33-(0)-821-01-74-26

### **Spain**

RICOH ESPAÑA S.A.  
Avda. Litoral Mar, 12-14,  
Blue Building, Marina Village,  
08005 Barcelona  
Phone: +34-(0)93-295-7600

### **Italy**

RICOH ITALIA SpA  
Via della Metallurgia 12,  
37139 Verona  
Phone: +39-045-8181500

### **China**


RICOH CHINA CO.,LTD.  
29/F., Lippo Plaza, No.222  
Huai Hai Zhong Road,  
Lu Wan District,  
Shanghai P.C.:200021  
Phone: +86-21-5396-6888

### **Singapore**

RICOH ASIA PACIFIC PTE.LTD.  
260 Orchard Road,  
#15-01/02 The Heeren,  
Singapore 238855  
Phone: +65-6830-5888

Model number: G132

Printed in The Netherlands

GB  G132-8105